



- **PLEASE** study these instructions carefully before installing your new camshaft. If you have any questions or problems, do not hesitate to call our **Technical Hotline at:1-800-416-8628**.

- **CAMSHAFT:** Edelbrock Performer-Plus camshafts are ground specifically for use with the corresponding Performer manifold. The Performer manifold #2186 or #2191, and Performer-Plus camshaft #2192 are designed to work as a team to give you better driveability and performance. They are dyno-matched and street-proven. For best results, use the Edelbrock manifold/camshaft package with the carburetor and headers we recommend.
NOTE: Maximum performance is achieved only when the Edelbrock Performer Power Package components are used with the following equipment:
 - Performer manifold/camshaft/timing set/valve springs
 - Performer Series carburetor #1406 (600 cfm), #1407 (750 cfm), or #1411 (750 cfm)
 - fuel delivery system of sufficient capacity
 - 1-3/4" headers
 - aftermarket/re-curved distributors

- **IMPORTANT:** This instruction sheet provides general installation guidelines which can affect your warranty. Read it carefully. It is not our intent to cover each detail of installation here; a step-by-step procedure manual would be far too lengthy. We want to caution you that installing a camshaft is a complicated procedure that requires a good general knowledge of automotive engines. If you are not confident that you can complete the camshaft installation successfully, we suggest you consider having it installed by an experienced mechanic.

CAUTION: Improper installation will result in **LOW MILEAGE, POOR PERFORMANCE, COSTLY REINSTALLATION, and ENGINE DAMAGE.**

TO AVOID THESE PROBLEMS YOU MUST DO THE FOLLOWING:

Carefully study and understand all instructions.

Examine the camshaft for possible shipping damage (if damaged contact your dealer immediately).

PREPARATION CHECKLIST

Use the following checklist for items needed.

TOOLS AND EQUIPMENT	HARDWARE & PARTS TO BUY
<ul style="list-style-type: none"> <input type="checkbox"/> box and open-end wrenches <input type="checkbox"/> socket set <input type="checkbox"/> distributor wrench <input type="checkbox"/> pliers (channel locks & hose clamp) <input type="checkbox"/> screw drivers (regular and phillips) <input type="checkbox"/> torque wrench <input type="checkbox"/> hammer <input type="checkbox"/> gasket scraper or putty knife <input type="checkbox"/> timing light <input type="checkbox"/> vacuum gauge <input type="checkbox"/> rags <input type="checkbox"/> water bucket <input type="checkbox"/> harmonic balancer puller 	<ul style="list-style-type: none"> <input type="checkbox"/> pipe plugs, if needed <input type="checkbox"/> Edelbrock Gasgacinch, #9300 <input type="checkbox"/> RTV Silicone Gasket Sealant <input type="checkbox"/> chalk <input type="checkbox"/> paper and pencil <input type="checkbox"/> radiator coolant <input type="checkbox"/> teflon tape <input type="checkbox"/> Edelbrock Performer-Link True Rolling Timing Chain and Gear Set #7804 <input type="checkbox"/> Edelbrock Sure Seat Valve Springs, #5892 (non-rotators) or #5992 (rotators) <input type="checkbox"/> OE replacement or Fel-Pro Print-O-Seal gasket set <input type="checkbox"/> Manifold bolt kit #8594

INSTRUCTIONS FOR ENGINE PARTS REMOVAL

• BEFORE CAMSHAFT INSTALLATION

1. Disconnect battery.
2. For ease of installation, keep all parts in some sort of order.
WARNING: Do not remove radiator cap or radiator hose if engine is hot.

3. Drain radiator coolant, move fan shroud back and remove fan and spacer from water pump. On air conditioned vehicles, remove bolt, lower idler pulley and compressor-to-water pump mount. **NOTE: DO NOT DISCONNECT A/C HOSES UNLESS NECESSARY. BEFORE DISCONNECTING HOSES, A/C SYSTEM MUST BE EVACUATED BY AN AUTHORIZED REPAIR CENTER.**

Remove a/c brackets. Most vehicles will require radiator removal prior to cam removal. Remove water pump.

4. Disconnect all linkage from carburetor such as throttle, throttle springs, transmission, cruise control and automatic choke.
5. Tag and remove vacuum lines.
6. Remove valve covers.
7. Remove distributor cap and wires, rotate engine until rotor points towards number 1 terminal in cap and pointer on front cover is on Top Dead Center (TDC). Remove distributor. Remove oil pump drive shaft and gear assembly. Note orientation of slot for re-installation. Note the approximate position of the vacuum advance canister in relation to the manifold to assist in getting the distributor properly located during re-installation.
8. Remove carburetor and intake manifold. Remove fuel pump.
9. Remove rocker arm and shaft assemblies. Do not remove rocker arms from shafts.
10. Remove pushrods and hydraulic valve lifters. If old lifters are visibly shorter than the ones in this kit, please verify the engine year.

IMPORTANT: IDENTIFY AND MARK PUSHRODS FOR RE-INSTALLATION IN ORIGINAL LOCATION.

11. Remove crankshaft pulley and crankshaft dampener using a suitable puller.
12. Remove front cover.
NOTE: The front cover oil seal should be replaced before the front cover is re-installed.
13. Rotate engine until timing marks are aligned as shown in Figure 2.
14. Remove cam sprocket bolt, washer, and fuel pump eccentric. Slide sprocket and timing chain forward to remove.
15. Remove camshaft thrust plate noting location of oil tab. Install a long bolt in front of camshaft to facilitate removal and carefully remove camshaft. Using appropriate gear puller, remove crank sprocket.

• VALVE SPRINGS

CAUTION: WARNINGS ABOUT YOUR WARRANTY

In order for this Performer-Plus cam and lifter kit to be covered under ANY WARRANTY you MUST use the correct Edelbrock Sure Seat Valve Springs. Failure to install new Edelbrock valve springs with your new Performer-Plus cam could cause the cam lobes to wear excessively and could cause additional engine damage.

1. This camshaft is designed to function with Edelbrock Sure Seat valve springs #5892 (non-rotators) or #5992 (rotators). Do not use dual valve springs with this camshaft.

• LIFTERS

1. New lifters must be used with new camshaft. Use only the new lifters supplied with this kit.
2. Check to be sure that all lifters fit freely in the lifter bores and that the factory did not install oversized lifters in your block to compensate for machining errors.

• INSTALLATION INSTRUCTIONS

1. Coat cam lobes and bottoms of each lifter with MoS2 lube (supplied) to prevent cam lobe and lifter wear from occurring during initial start-up.
2. Install new camshaft with new sprockets, timing chain and lifters.

CAUTION: Use Edelbrock Performer-Plus True Rolling Timing Chain and Steel Gear Set #7804. Do not use late model timing chain & gear sets that are designed in a retarded position and are not recommended for this camshaft installation. Edelbrock Timing Sets feature three keyways for specific timing selection. Use locking compound material on the bolt threads holding timing gear to cam. Torque to factory recommendations specified in motor repair manual.

Install camshaft with timing marks lined up

as recommended by factory specifications. See Figure 2. When using Performer-Plus Timing Chain and Gear Sets (7800 series) with Edelbrock cam and lifter kits, straight up timing alignment is achieved. If any other timing gear set is used, it is necessary to check cam position for correct timing alignment. This requires indexing the camshaft with a degree wheel to verify timing alignment. O.E.M. or non-Edelbrock timing gear sets are not recommended for use with Edelbrock camshafts.

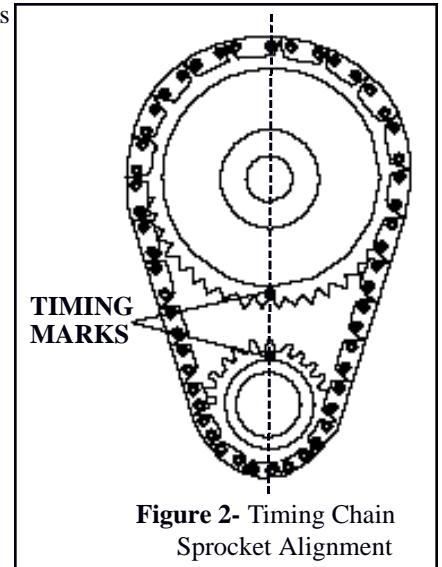


Figure 2- Timing Chain Sprocket Alignment

• INSTALLING PUSHRODS AND ROCKER ARMS

Stock specification pushrods and rocker arms are recommended for this installation.

1. Install pushrods in the same location from which they were removed.
2. Install rocker shafts and tighten shaft bolts evenly to allow lifters to bleed down to their proper operating height.
IMPORTANT: 3/16" diameter lubrication holes in rocker shafts must point outward towards the valves.
3. Re-install front cover, fuel pump, and water pump using new gaskets.
4. Install intake manifold using new intake gasket set and torque manifold bolts to 25 ft./lbs.
5. Install crankshaft dampener and torque to factory specifications.

- **INSTALLING DISTRIBUTOR AND TIMING ENGINE**
NOTE: Before installing your distributor, check the gear drive on the distributor and oil pump for any signs of wear. If worn, be sure to replace with new or you may wear out your camshaft prematurely. This is especially true when rebuilding your engine and a high performance oil system is used, which generates a heavier load on the camshaft gear system. Edelbrock camshafts are designed to use OEM-type gears only.
 1. Turn the engine over in the direction of rotation until the No. 1 intake valve closes and continue until the pointer on the front cover is approximately 5 degrees BTDC.
 2. Re-install the distributor with the rotor pointing towards No. 1 terminal in the cap, and with the vacuum advance canister in its original position.
 3. Lightly tighten the hold-down clamp so that the distributor can still be turned to determine final setting using a timing light with the engine running.
 4. Replace valve covers, carburetor linkage and remaining vacuum and electrical connections.
 5. Re-install air conditioner, if so equipped.
 6. Refill radiator with coolant and re-connect battery.
 7. Double check all connections, fuel lines, etc. before starting engine.

- **CAMSHAFT/LIFTER RUN-IN**

CAUTION: Change the engine oil and filter before start-up and again after the initial break-in. Do not allow the engine to run under 1500 rpm for the first 1/2 hour. Vary engine speed between 1500 rpm and 2500 rpm. Slow idle speeds may result in severe cam and lifter wear.

1. Start the engine and bring to break-in rpm.

**IMPORTANT INSTRUCTIONS
AFFECTING YOUR WARRANTY**

- **CAM LOBE WEAR-** Cam lobe wear is almost non-existent unless mismatched parts are used or installation of the cam and lifters is done improperly. Most cam damage is caused by the timing gear coming loose due to improper torque on bolt. The bolt holding gear to camshaft should be torqued carefully and a locking compound applied to threads of bolt.
- **CAM GEARS AND CAMSHAFT END PLAY-** If cam gear becomes loose, the cam will slide back in the block, causing the lifters to hit the lobes next to them and also the cam bearing journals. If the engine is run after this happens, the bottom of the lifters and the sides of the lobes will become clipped. When installing a camshaft, it is always important to check for proper operating clearances, especially when high performance components are used. Things to look for that can cause failure and damaged parts are as follows:
 1. Improper valve-to-piston clearance (this should be no less than 0.080").
 2. Rocker arm to retainer clearance (both ends; valve closed and open; this should be no less than 0.050").
 3. Proper spring settings (see dimensions with spring instruction sheet; correct dimensions mean maximum performance and longer engine life).

- **SPECIAL INSTRUCTIONS**

With the Edelbrock manifold and camshaft package plus a header installation, a carburetor jet change may be required for best performance. Due to the varied applications of year and model of vehicles, no one combination could suffice for all installations. The following procedure is only a guideline and in many cases, the manufacturing specifications for recommended carburetors or timing may be best.

- **IGNITION TIMING**

Ignition timing for this package may vary with each application. A good starting figure would be between 8° to 12° initial timing at idle with vacuum advance disconnected. Total advance should not exceed 32° to 36° with initial and centrifugal weights combined and should be at full advance at 2600-3000 rpm. After timing is adjusted, re-connect the vacuum advance line. **NOTE:** The best combination for any particular vehicle or application must be determined by trial and error using the above information as a guideline.

- **HEADERS**

For best performance, headers are recommended. For this application, primary tubes should be 1-3/4" diameter, approximately 31" long and terminating into a 3" collector. The remainder of the exhaust system should consist of dual exhaust and tail pipes, at least 2" diameter with low back-pressure mufflers such as Edelbrock RPM Series stainless steel mufflers.

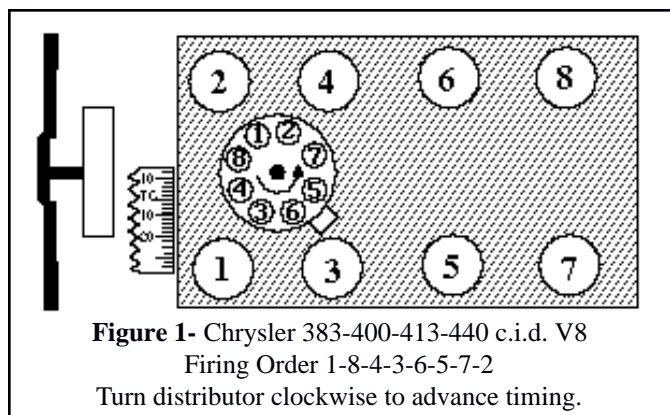
- **WARNING**

In order for this Performer-Plus cam and lifter kit to be covered under ANY WARRANTY you MUST use the correct Edelbrock Sure Seat Valve Springs. The end flap or label from your Sure Seat Valve Spring box must be sent in with your camshaft warranty card.

Failure to install new Edelbrock Sure Seat Valve Springs with your new Performer-Plus cam and lifter kit could cause the cam lobes to wear excessively and could cause additional engine damage. **IF YOU HAVE ANY QUESTIONS ABOUT THIS APPLICATION, PLEASE CONTACT OUR TECHNICAL DEPARTMENT IMMEDIATELY.**

- **PLEASE** complete and mail your warranty card. Be sure to write the model number of this product in the "Part #____" space.

THANK YOU.



**CAMSHAFT: Performer-Plus Hydraulic
CATALOG #2192**



**ENGINE: Chrysler 383, 400, 413, & 440 c.i.d. V8s
RPM RANGE: idle-5500**

CAUTION: Do not use dual valve springs. Use only recommended Edelbrock Sure Seat Valve Springs #5892 (non-rotators) or #5992 (rotators). Use stock ratio rocker arms only.

**Duration at .006" Lift: Intake 270° Exhaust 280°
Duration at .050" Lift: Intake 204° Exhaust 214°**

**Lift at cam: Intake .280" Exhaust .295"
Lift at valve: Intake .420" Exhaust .442"**

Timing at .050 Lift:

	Open	Close
Intake	5° ATDC	29° ABDC
Exhaust	44° BBDC	10° BTDC

Centerlines:

Lobe Separation - 112° Intake Centerline - 107°

- **CAUTION:** Use Edelbrock Performer-Plus Timing Chain and Steel Gear Set #7804. Do not use late model timing chain and gear sets that are designed for emission-controlled engines. These timing sets are machined in a retarded position and are not recommended for this camshaft installation. Edelbrock Timing Sets feature three keyways for specified timing selection; use the "0" keyway for Performer-Plus cams.

**CAMSHAFT: Performer-Plus Hydraulic
CATALOG #2192**



**ENGINE: Chrysler 383, 400, 413, & 440 c.i.d. V8s
RPM RANGE: idle-5500**

CAUTION: Do not use dual valve springs. Use only recommended Edelbrock Sure Seat Valve Springs #5892 (non-rotators) or #5992 (rotators). Use stock ratio rocker arms only.

**Duration at .006" Lift: Intake 270° Exhaust 280°
Duration at .050" Lift: Intake 204° Exhaust 214°**

**Lift at cam: Intake .280" Exhaust .295"
Lift at valve: Intake .420" Exhaust .442"**

Timing at .050 Lift:

	Open	Close
Intake	5° ATDC	29° ABDC
Exhaust	44° BBDC	10° BTDC

Centerlines:

Lobe Separation - 112° Intake Centerline - 107°

- **CAUTION:** Use Edelbrock Performer-Plus Timing Chain and Steel Gear Set #7804. Do not use late model timing chain and gear sets that are designed for emission-controlled engines. These timing sets are machined in a retarded position and are not recommended for this camshaft installation. Edelbrock Timing Sets feature three keyways for specified timing selection; use the "0" keyway for Performer-Plus cams.

**CAMSHAFT: Performer-Plus Hydraulic
CATALOG #2192**



**ENGINE: Chrysler 383, 400, 413, & 440 c.i.d. V8s
RPM RANGE: idle-5500**

CAUTION: Do not use dual valve springs. Use only recommended Edelbrock Sure Seat Valve Springs #5892 (non-rotators) or #5992 (rotators). Use stock ratio rocker arms only.

**Duration at .006" Lift: Intake 270° Exhaust 280°
Duration at .050" Lift: Intake 204° Exhaust 214°**

**Lift at cam: Intake .280" Exhaust .295"
Lift at valve: Intake .420" Exhaust .442"**

Timing at .050 Lift:

	Open	Close
Intake	5° ATDC	29° ABDC
Exhaust	44° BBDC	10° BTDC

Centerlines:

Lobe Separation - 112° Intake Centerline - 107°

- **CAUTION:** Use Edelbrock Performer-Plus Timing Chain and Steel Gear Set #7804. Do not use late model timing chain and gear sets that are designed for emission-controlled engines. These timing sets are machined in a retarded position and are not recommended for this camshaft installation. Edelbrock Timing Sets feature three keyways for specified timing selection; use the "0" keyway for Performer-Plus cams.

**CAMSHAFT: Performer-Plus Hydraulic
CATALOG #2192**



**ENGINE: Chrysler 383, 400, 413, & 440 c.i.d. V8s
RPM RANGE: idle-5500**

CAUTION: Do not use dual valve springs. Use only recommended Edelbrock Sure Seat Valve Springs #5892 (non-rotators) or #5992 (rotators). Use stock ratio rocker arms only.

**Duration at .006" Lift: Intake 270° Exhaust 280°
Duration at .050" Lift: Intake 204° Exhaust 214°**

**Lift at cam: Intake .280" Exhaust .295"
Lift at valve: Intake .420" Exhaust .442"**

Timing at .050 Lift:

	Open	Close
Intake	5° ATDC	29° ABDC
Exhaust	44° BBDC	10° BTDC

Centerlines:

Lobe Separation - 112° Intake Centerline - 107°

- **CAUTION:** Use Edelbrock Performer-Plus Timing Chain and Steel Gear Set #7804. Do not use late model timing chain and gear sets that are designed for emission-controlled engines. These timing sets are machined in a retarded position and are not recommended for this camshaft installation. Edelbrock Timing Sets feature three keyways for specified timing selection; use the "0" keyway for Performer-Plus cams.